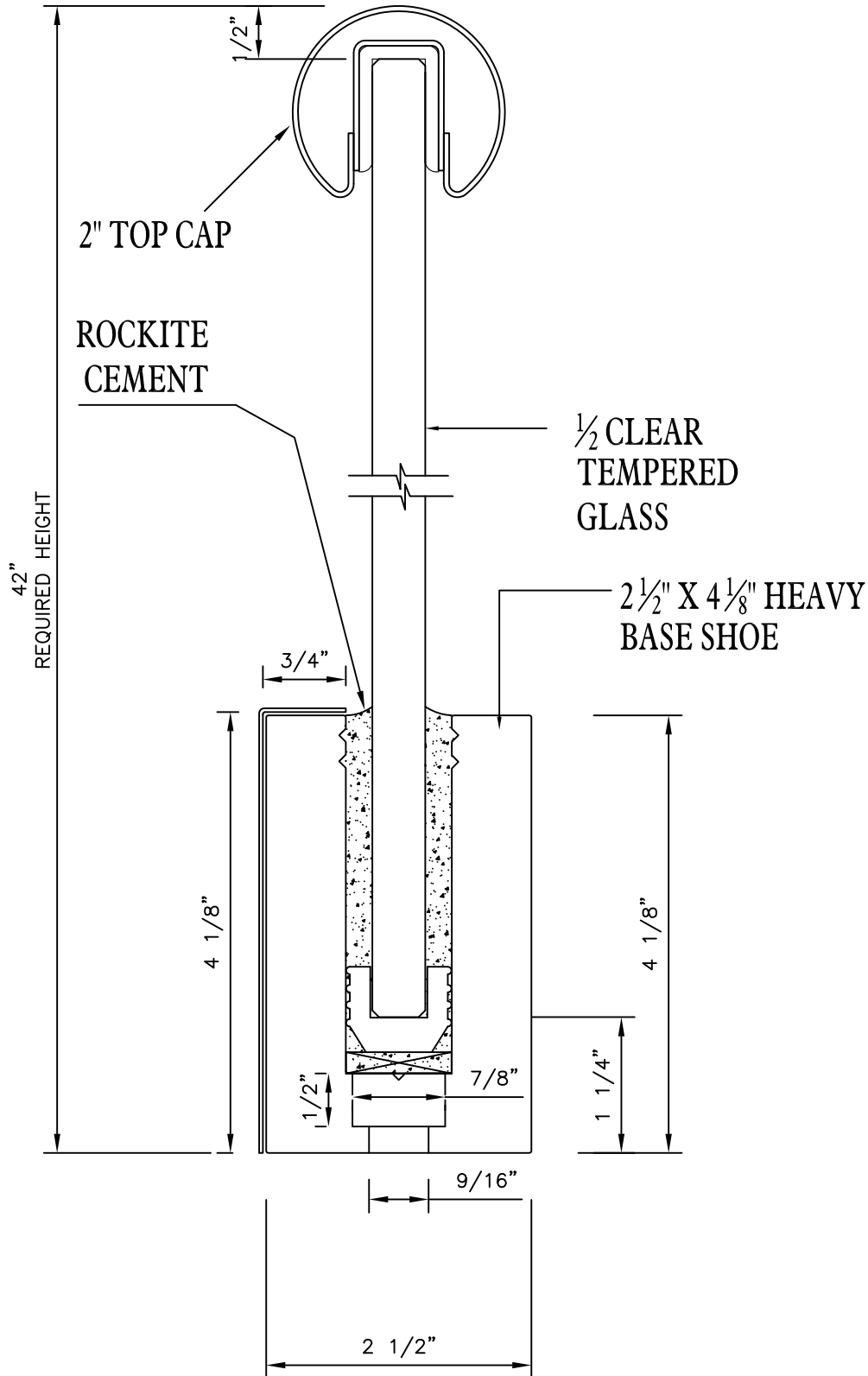


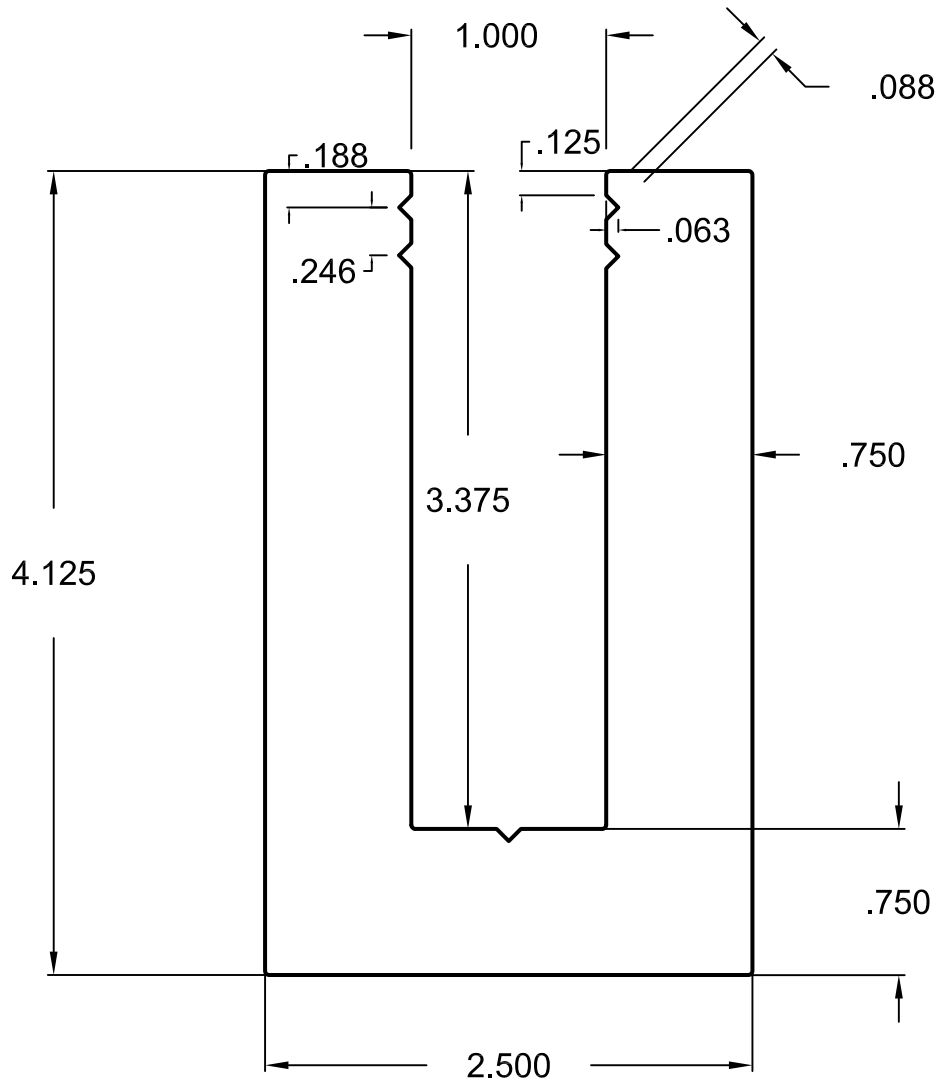
Handrail

PRL GLASS SYSTEMS INC.



UNLESS OTHERWISE SPECIFIED STANDAR ALUMINUM ASSOCIATION TOLERANCES APPLY

DWG NO.
2037



UNLESS OTHER WISE NOTED - .750 TYP.

UNMARKED CORNERS .020 R.

REVISION	WALL		
MAT.'L	6063-T5	HOLES	1
AREA	6.90	BACKER	
WT.	8.28	BOLSTER	
PERI.	20.19	W/P	
FACTOR	2.44	EXT.	7.28
C.C.D.		RATIO	
		CLASS	Solid

PRL 
ALUMINUM INC.
 14760 DON JULIAN RD.
 INDUSTRY CA. 91746
 TEL. (877) 775-2586
 PRL-ALUM
 FAX (877) 274-8800

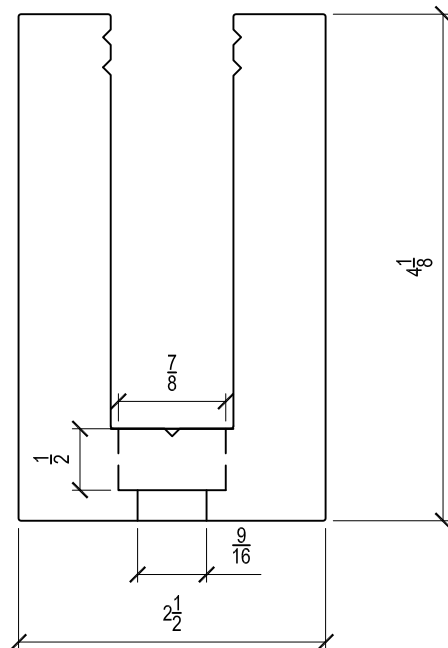
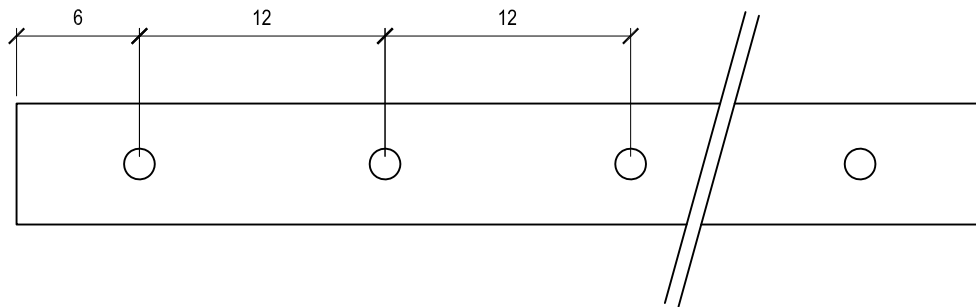
* CRITICAL DIM.
 ⊗ SPECIAL TOOL

DRAWN AJ
 DATE: 7-24-07
 SCALE 1:1

PART NAME: HAND RAIL BASE
 PART # HRB

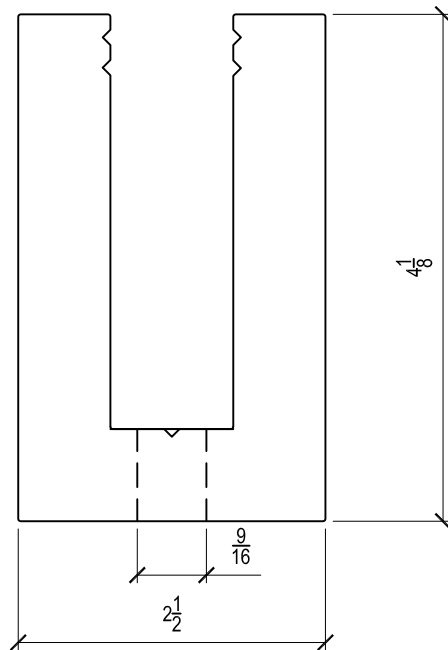
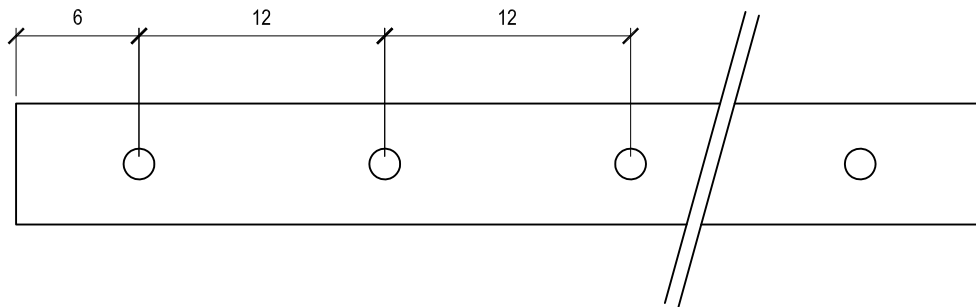
HANDRAIL COUNTER BORE

PRL GLASS
SYSTEMS
INC.



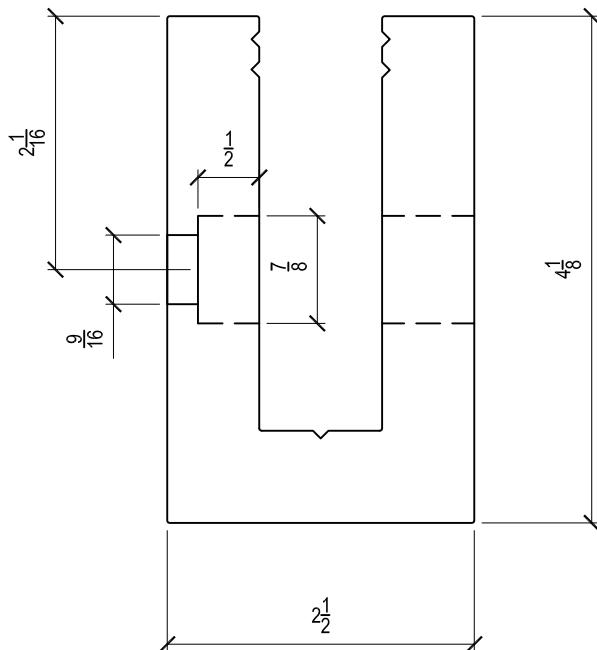
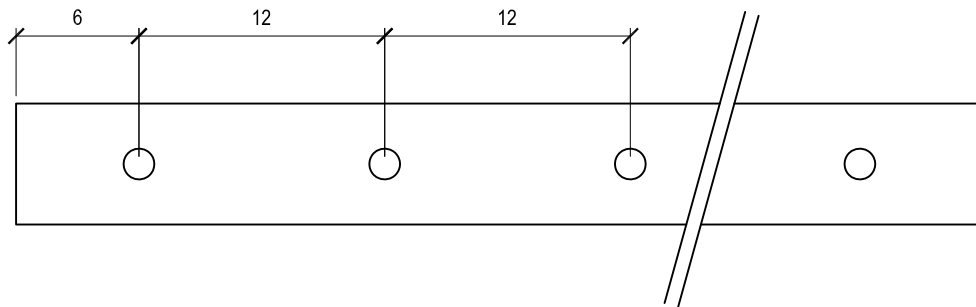
HANDRAIL
9/16 THRU HOLE

PRL GLASS
SYSTEMS
INC.



HANDRAIL
FACIA/SIDE MOUNTED

PRL GLASS
SYSTEMS
INC.



PRL

GLASS
SYSTEMS
INC.

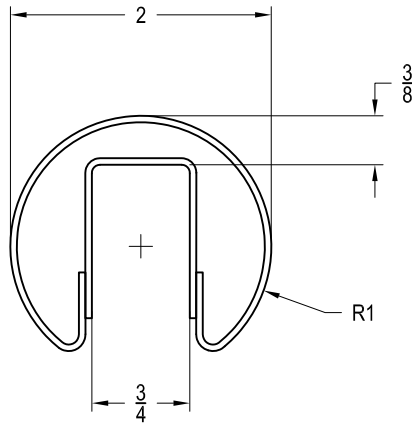
Priglass.com



2TC "BS" or PS
2" Dia. Stainless steel top cap

DWG NO.: Handrail_wet-glazed

DATE: 4/14/10



PRL

GLASS
SYSTEMS
INC.

Priglass.com

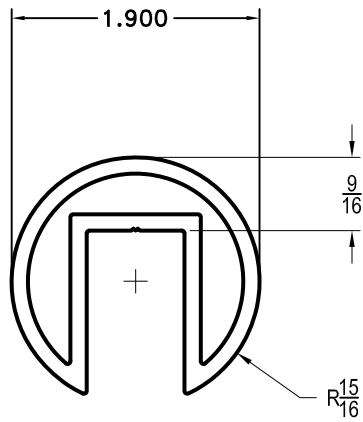


2TC

2" Dia. Aluminum top cap

DWG NO.: Handrail_wet-glazed

DATE: 4/14/10



PRL

GLASS
SYSTEMS
INC.

Priglass.com



HRTVI

Handrail top vinyl insert

DWG NO.: Handrail_wet-glazed

DATE: 4/14/10

