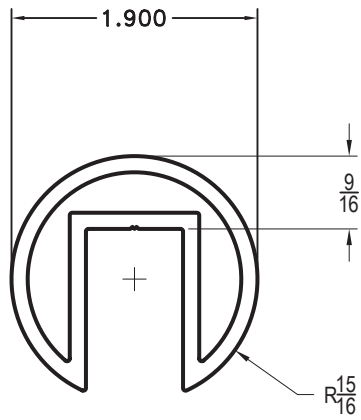
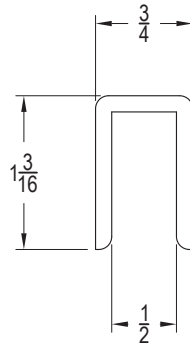




2TC

2" Dia. Aluminum top cap





PRL

GLASS
SYSTEMS
INC.

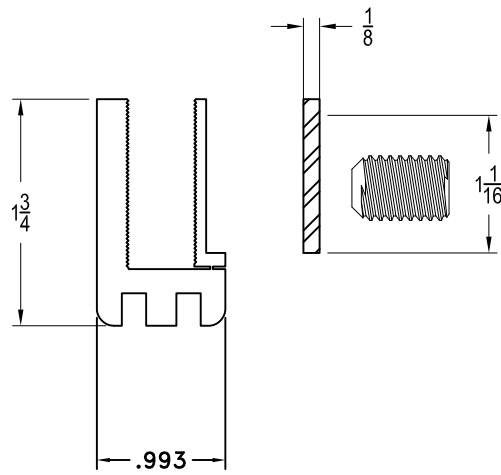
Prlglass.com

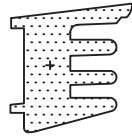


PLMDSHRBPG
Mini Rapid Dry set Mounting Pressure Plate

DWG NO.: MINI RAPID

DATE: 04-15-11





PRL

GLASS
SYSTEMS
INC.

Prlglass.com



HRBSB
Handrail bottom setting block

DWG NO.: HANDRAIL CONFIGURATIONS

DATE: 5/18/10

